

Option 1 (change accordingly)

ENTER ROOM NAME



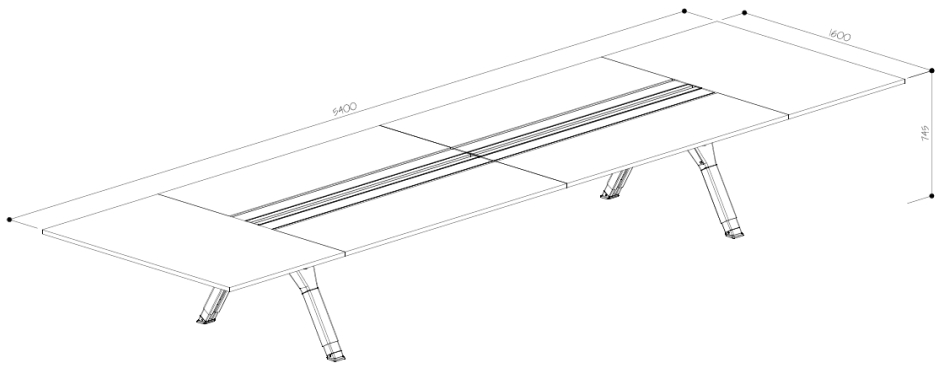
Pike Conference table

FEATURES:

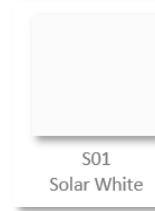
- A robust table frame structure with two sets of stylish legs firmly supports a conference table of up to 5400mm long
- Aluminium trunking with hinged flippers for tidy cable management
- Optional cable riser added to have the cables neatly organized between the floor and top.

DIMENSIONS:

- Overall dimension from 6 tops: W5400 x D1600 x H745



MATERIAL:



S01
Solar White



403
palisander santos



Optional cable riser



Available in a range of different finishes



Pike
Conference table

FEATURES:

- A robust table frame structure with two sets of stylish legs firmly supports a conference table of up to 5400mm long
- Aluminium trunking with hinged flippers for tidy cable management
- Optional cable riser added to have the cables neatly organized between the floor and top.

DIMENSIONS:

- Overall dimension from 6 tops: W5400 x D1600 x H745



MATERIAL:



S01
Solar White



403
palisander santos



Optional cable riser



Available in a range of different finishes



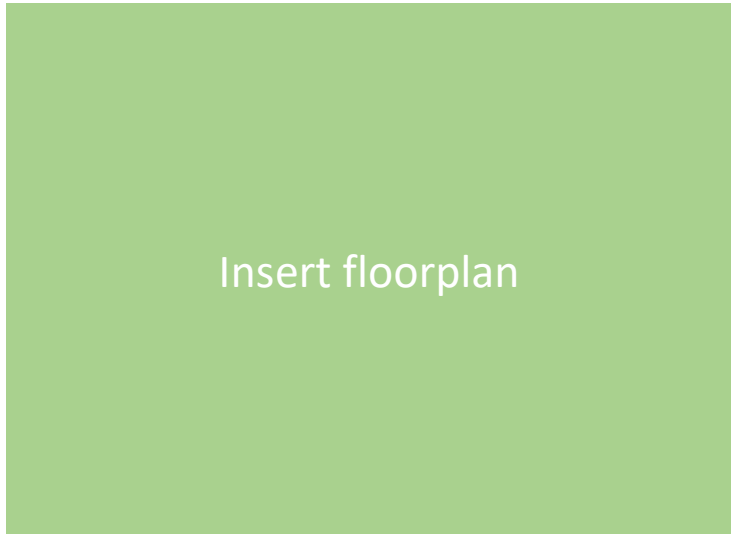
Pike Conference table

FEATURES:

- A robust table frame structure with two sets of stylish legs firmly supports a conference table of up to 5400mm long
- Aluminium trunking with hinged flippers for tidy cable management
- Optional cable riser added to have the cables neatly organized between the floor and top.

DIMENSIONS:

- Overall dimension from 6 tops: W5400 x D1600 x H745



MATERIAL:



S01
Solar White



565
grey tourmaline



Optional cable riser



Available in a range of different finishes