



## Mini CPU holder

### FEATURES:

- Mounted under desk
- Width & height adjustable
- 360 degree swivel
- Save the space

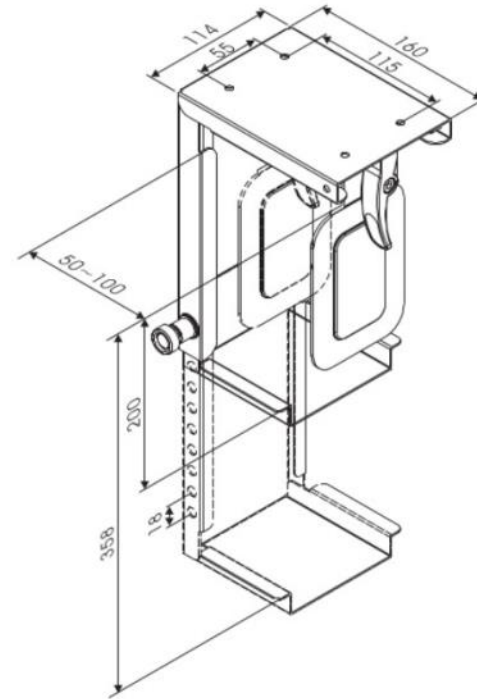
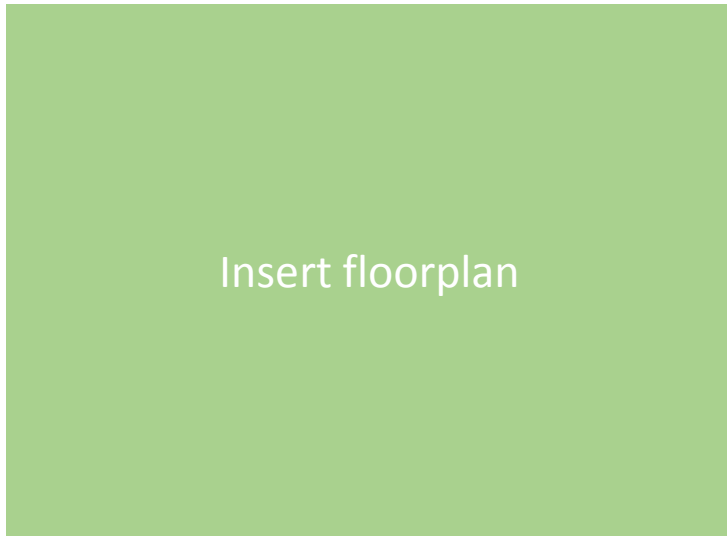
### DIMENSIONS:

- W105-160 x D100-110 x H360-450

### MATERIALS:

- Steel made in silver

Origin: Taiwan





# Monitor ArmDesk mounted type (EA-111)

### FEATURES:

- Gas spring inside
- Multi-angle adjustable (360 degree swivel and 180 degree return)
- Height and width adjustment
- Comes with both clam and grommet mount
- Improve sitting posture
- Care for the cervical spine, make your office easy and pleasant
- Maximum load: 3-8kgs

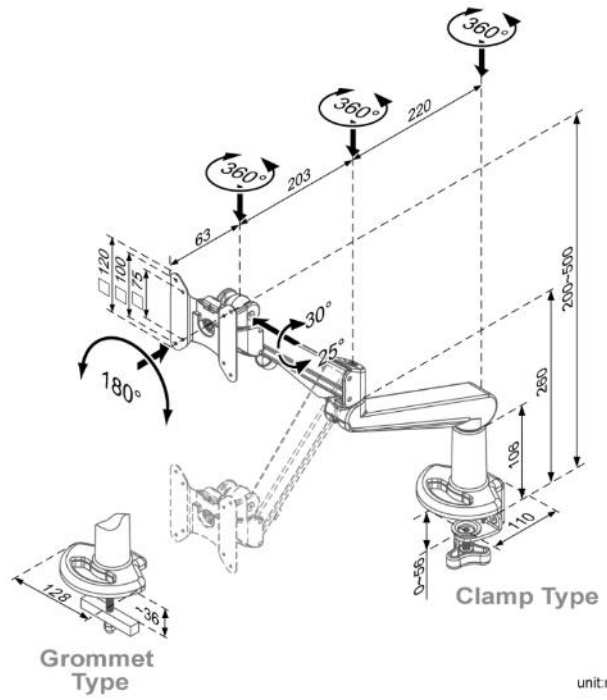
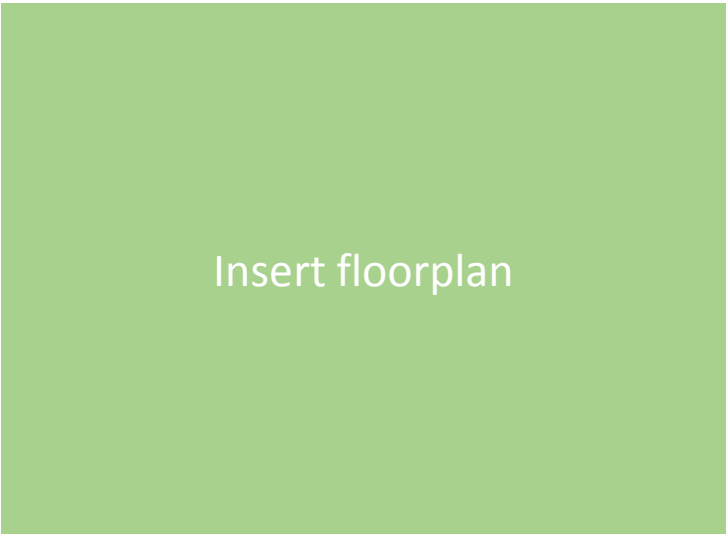
### DIMENSIONS:

- Refer to the picture on the right

### MATERIALS:

- Aluminum alloy
- Available in white and black

Origin: Taiwan





### Monitor arm on panel (EA-119)

**FEATURES:**

- Gas spring inside
- Multi-angle adjustable (360 degree swivel and 180 degree return
- Height and width adjustment
- Comes with both clam and grommet mount
- Improve sitting posture
- Care for the cervical spine, make your office easy and pleasant
- Maximum load: 3-8kgs

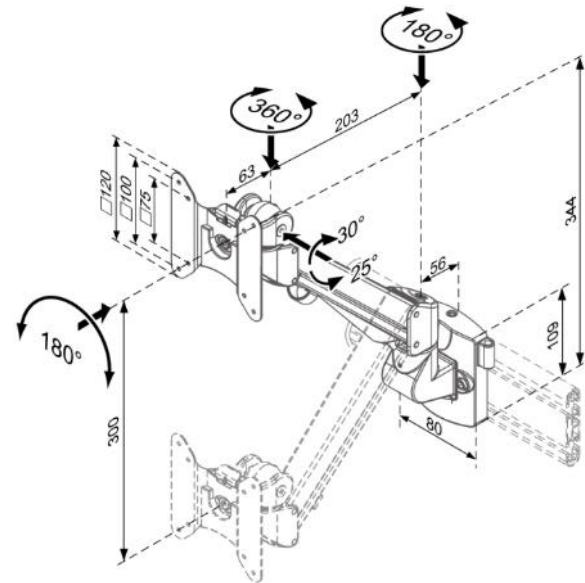
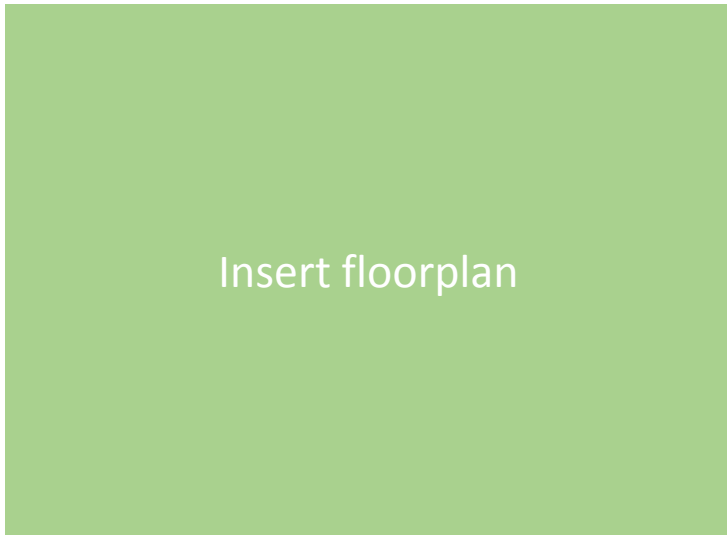
**DIMENSIONS:**

- Refer to the picture on the right

**MATERIALS:**

- Aluminum alloy
- Available in white

Origin: Taiwan





### M2 monitor arm

**FEATURES:**

- Desk mounted type
- Maximum load: 3.6 - 9 kgs
- 510mm reach
- 255mm height Adjustment Range

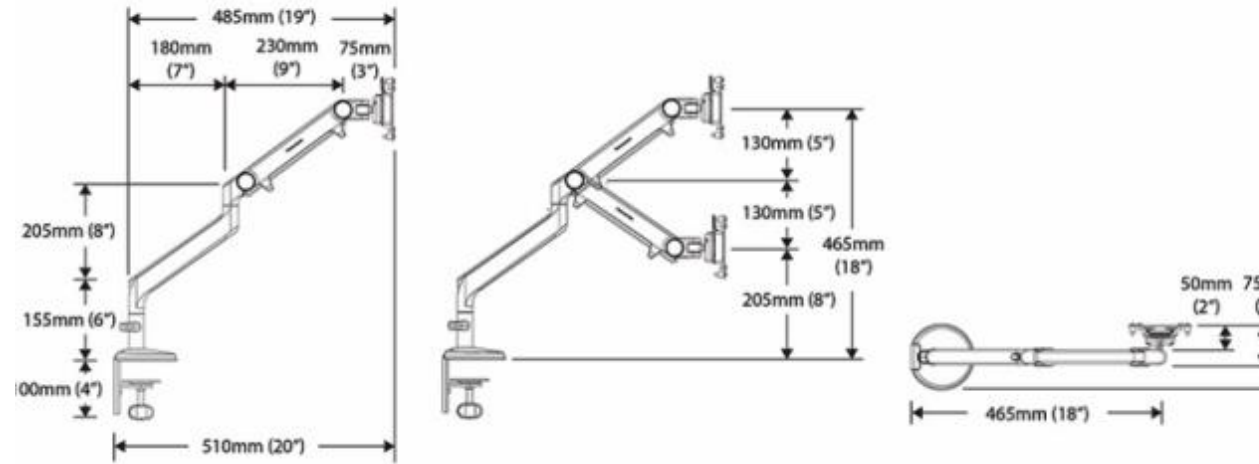
**DIMENSIONS:**

- Refer to the picture on the right

**MATERIALS:**

- White aluminum polished

Origin: USA





## Cable riser with clamp

### FEATURES:

- Keeps cable segregated and contained from desk to floor
- Easy to install, and a 5-piece extension kit is available
- Optional accessory: OP-500-P/WH (change to under-desk type) or OP500-P/TS (change to under-desk type)

### DIMENSIONS:

- Length: 900mm

### MATERIALS:

- Plastic
- Available in white and translucent

Origin: Taiwan

