



Metasteel emphasizes on the improvement of workplace environment and space optimization by achieving the highest standard and excellence in the metal fabrication needs.



Vertical 2-Drawer Filing Cabinet
ST 001 475 W 600 D 720 H
Vertical 3-Drawer Filing Cabinet
ST 002 475 W 600 D 1020 H



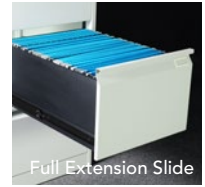
Vertical 4-Drawer Filing Cabinet
ST 003 475 W 600 D 1320 H



Lateral 2-Drawer Filing Cabinet
ST 008 915 W 460 D 720 H
Lateral 3-Drawer Filing Cabinet
ST 009 915 W 460 D 1020 H



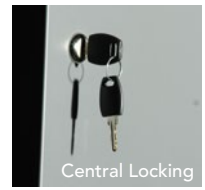
Lateral 4-Drawer Filing Cabinet
ST 010 915 W 460 D 1320 H



Full Extension Slide



Anti-Tilt



Central Locking



FEATURES



Half Height Swing Door Cupboard
ST 011 916 W 460 D 915 H
Full Height Swing Door Cupboard
ST 012 916 W 460 D 1830 H



Half Height Sliding Door Cupboard
ST 013 916 W 460 D 915 H



Full Height Sliding Door Cupboard
ST 014 916 W 460 D 1830 H



Half Height Glazed Sliding Door Cupboard
ST 015 916 W 460 D 915 H
Full Height Glazed Sliding Door Cupboard
ST 016 916 W 460 D 1830 H



Half Height Open Shelf Cupboard
ST 017 916 W 460 D 915 H
Full Height Open Shelf Cupboard
ST 018 916 W 460 D 1830 H



Half Height Tambour Door Cupboard
ST 019 916 W 460 D 915 H
Full Height Tambour Door Cupboard
ST 020 916 W 460 D 1830 H



1-Door Locker
ST 025 380 W 460 D 1830 H



2-Door Locker
ST 026 380 W 460 D 1830 H



4-Door Locker
ST 027 380 W 460 D 1830 H
6-Door Locker
ST 028 380 W 460 D 1830 H



manually
operated
mobile
compactor
system

Metasteel manually operated mobile compactor maximizes your current storage space, creating more "people" space, and helps you focus on important tasks.



Strong & slick steel handle



Adjustable foot cap



Smooth anti-tilt



Central lock

Metasteel vertical and lateral filing cabinets are sleek in design and definitely a smart choice for savvy streamlined business or personal use. The nearly unlimited storage solution Metasteel offers will address all your specific storage needs.

WİNTECH[®]
MALAYSIA

WİNTECH[®]
mobile compactor system range at a glance



mechanically operated mobile compactor system

Metasteel mechanically operated mobile compactor has been designed using different gear ratios, minimizing the energy required to move the bays smoothly and quietly.

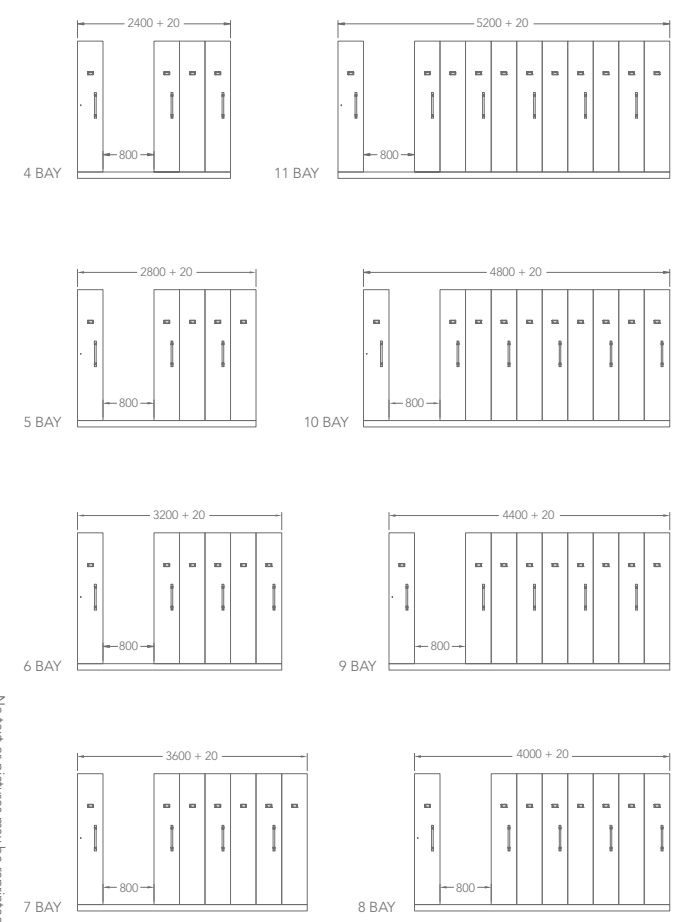
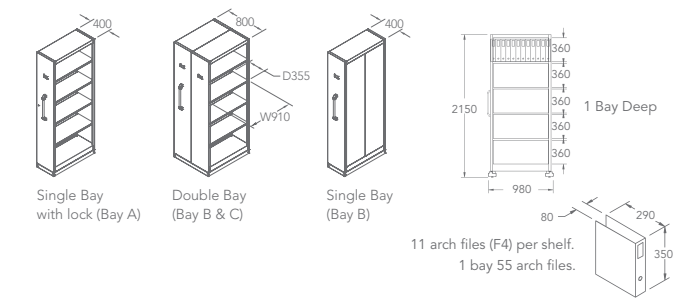


THE FINEST OFFICE FURNITURE

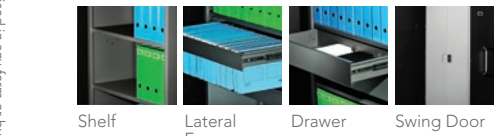
metasteel



manually operated

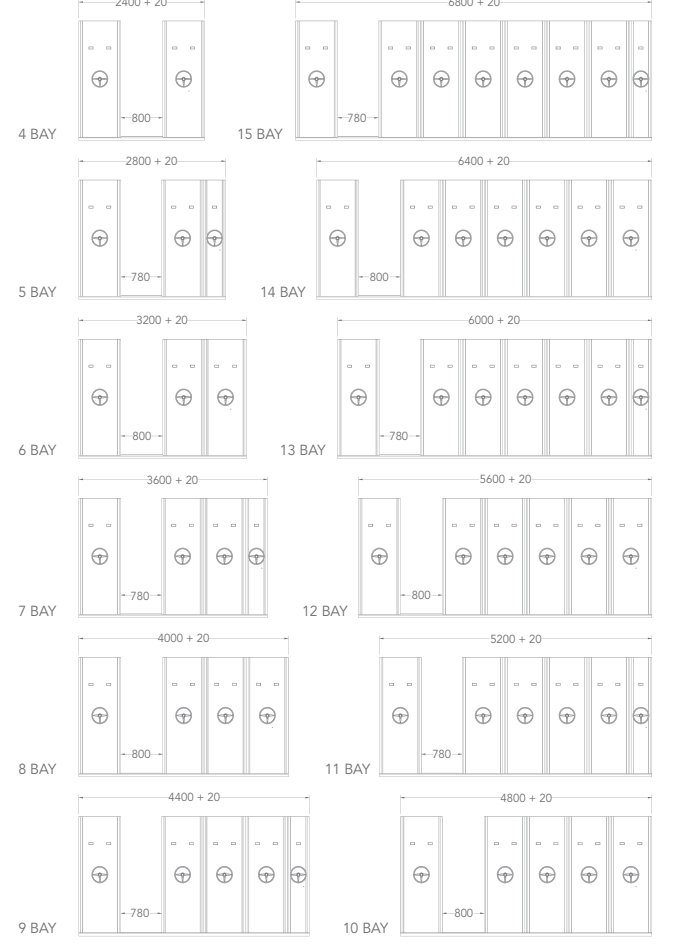
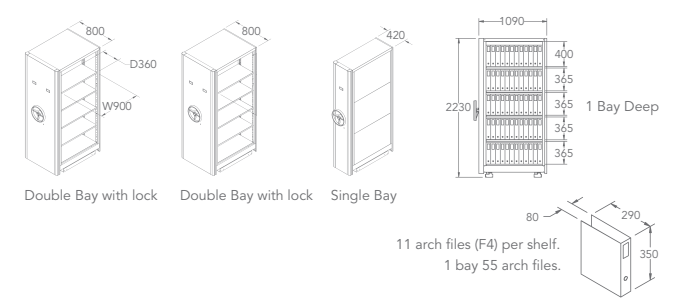


Additional Accessories

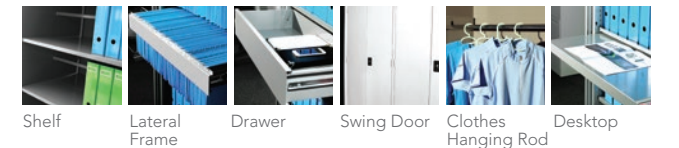


Material	Cold Rolled Steel
Finish	Epoxy Powder Coating
Shelf size	897mm(W) x 335mm(D) x 25mm(H)
No. of shelves	4 pieces per bay
Loading per shelf	40kg UDL
Aisle width	800mm
Material thickness	Base: 1mm, Back Panel: 0.6mm, Base Frame: 2mm Platform: 18mm Chipboard, Top Panel: 0.8mm Side Panel: 0.8mm, Shelf: 0.6mm
Wheel	D60mm Bearing with Nylon Coating Loading: 150kg / Wheel

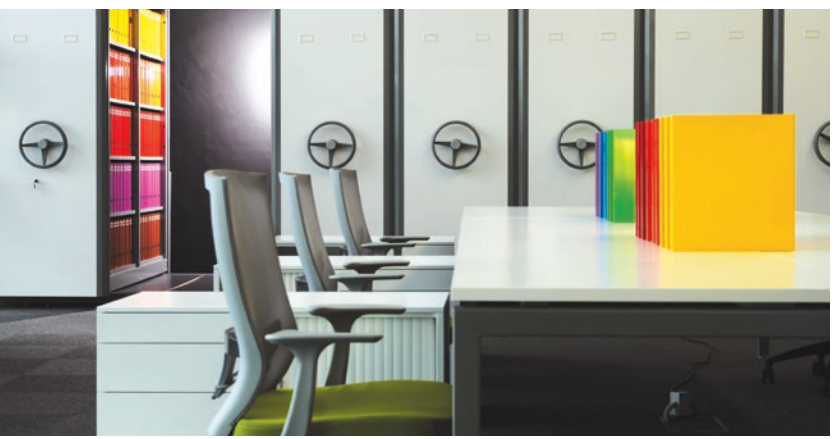
mechanically operated



Additional Accessories



Material	Cold Rolled Steel
Finish	Epoxy Powder Coating
Shelf Size	897mm(W) x 360mm(D) x 25mm(H)
No. of shelves	4 pieces per bay
Loading per shelf	70kg UDL
Aisle Width	780 / 800mm (more options subject to bay combination)
Material Thickness	Back Panel: 0.7mm, Shelf: 0.7mm, Side Panel: 0.7mm, Base Frame: 2mm, Post: 1.5mm Top Panel: 1mm, Front Panel: 0.8 / 1mm
Wheel	Iron Die Casting with Anti-rust Zinc Coating Loading: 1000kg / Wheel



Safety lock



Smooth anti-tilt



Adjustable foot cap



Central lock

No text or pictures may be reprinted or utilised in any form or by any means without permission from the copyright owner. All rights reserved. Copyright © 2015. 版權所有。 翻印必究。 Colour options are as close as the 4 color printing process will allow.